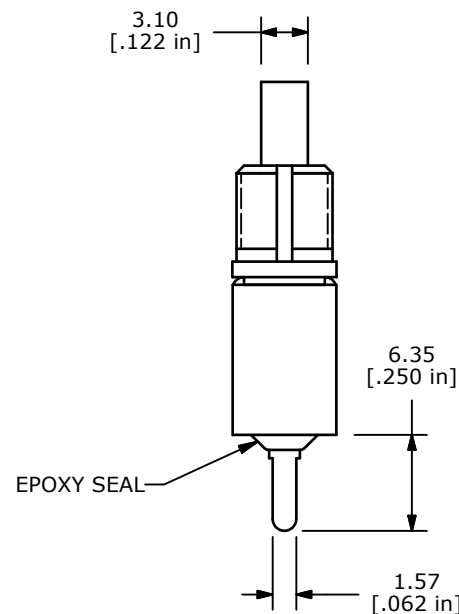
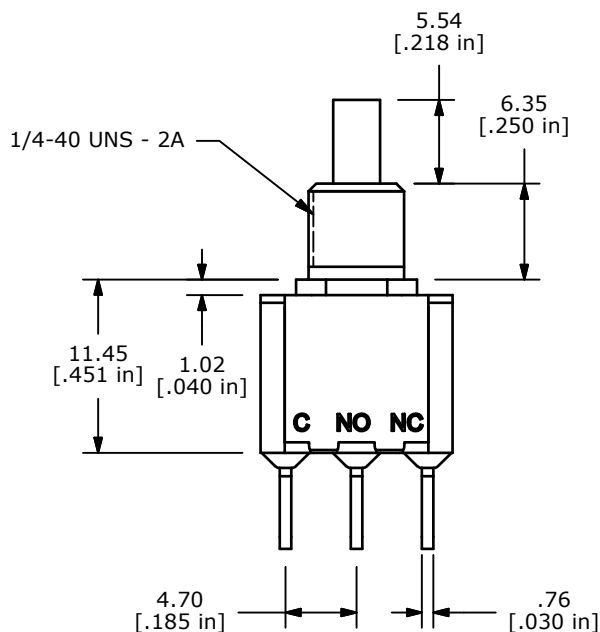
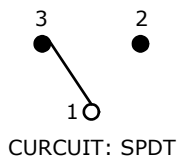


| SWITCH FUNCTION | |
|-----------------|--------|
| POS. 1 | POS. 2 |
| | |
| ON | (ON) |
| 1-3 | 1-2 |

(ON)=MOMENTARY



NOTE:

1. ALL DIMENSIONS IN MM [INCH]
2. GENERAL TOLERANCE: X.X=±0.4
X.XX=±0.25
3. TERMINAL NUMBERS FOR REF ONLY
- ▲ 4. PLATING MATERIAL: SILVER
5. RATING: 1A @ 250VAC
3A @ 120 VAC OR VDC
6. ELECTRIC LIFE: 50,000 MAKE-AND-BREAK CYCLES AT FULL LOAD.
7. INSULATION RESISTANCE: 1,000 MEGA-OHM MIN.
8. DIELECTRIC STRENGTH: 1,000 V RMS @SEA LEVEL.
9. OPERATING TEMP.: -30°C to 85°C
10. ▲ DENOTES CRITICAL PARAMETER.



| | | | | |
|-----|--------|-------------------------|---------|-----|
| B | 19968 | REVISED AND REDRAWN | 5/27/11 | BGL |
| A | 15361 | RELEASED FOR PRODUCTION | 10/4/05 | PH |
| REV | PCR NO | DESCRIPTION | DATE | BY |

| | | | | |
|---------------------|----------------|-------|-------------|-------|
| TITLE 700SP7B10M3QE | | | | |
| SCALE 2:1 | DATE 10/4/2005 | DR PH | DWG T711061 | REV B |

THE INFORMATION CONTAINED IN THIS DOCUMENT IS PROPRIETARY TO E-SWITCH AND IS NOT TO BE COPIED OR TRANSFERRED